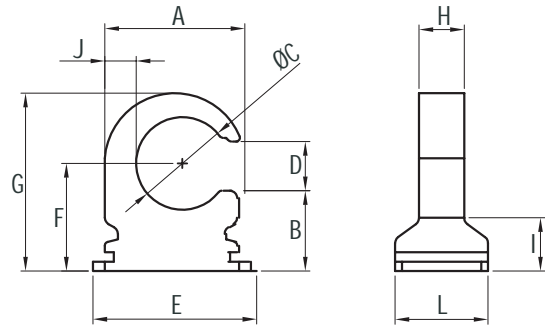
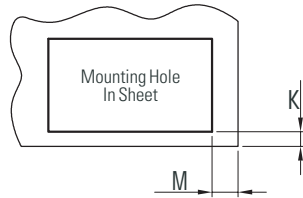


All dimensions are in millimeters.

METRIC	Type	Profile Code	Length Code	Length L ± 0.08	Sheet Thickness	Hole Size In Sheet +0.05 -0.03	A ± 0.08	B ± 0.15	C ± 0.15	D ± 0.15	E ± 0.15	Height G ± 0.15	Min. Hole Edge To Sheet Edge K	Min. Hole Edge To Sheet Edge M
	DTD	40	4	3.07	1.02-1.27	6.35x3.18	6.25	1.4	1.65	4.06	7.82	3.81	1.02	3.73
	DTD	60	6	4.67	1.02-1.78	7.93x4.75	7.82	1.91	1.65	5.21	9.4	4.57	1.02	4.98
	DTD	175	12	9.42	1.02-3.18	12.7x9.53	12.6	3.3	2.4	9.14	14.28	7.24	1.02	6.65



All dimensions are in millimeters.

METRIC	Type	Profile Code	Length Code	Length L ± .003	Sheet Thickness	Hole Size In Sheet +0.05 -0.03	A ± 0.08	B ± 0.15	ØC ± 0.15	D ± 0.15	E ± 0.15	F ± 0.13	Height G Nom.	H ± 0.25	I ± 0.25	J ± Nom.	Min. Hole Edge To Sheet Edge K	Min. Hole Edge To Sheet Edge M
	DTDO	40	8	6.25	1.02-3.94	6.35x9.53	9.42	5.41	6.22	3.3	11	7.24	11.96	3.05	3.3	2.11	1.02	3.73
	DTDO	50	8	6.25	1.02-3.94	6.35x11.13	11.02	5.79	6.86	3.3	12.6	7.62	13.13	3.05	3.3	2.59	1.02	4.98
	DTDO	120	8	6.25	1.02-3.94	6.35x14.27	14.17	6.48	8.64	3.56	15.75	8.51	15.6	3.05	3.3	3.53	1.02	6.65