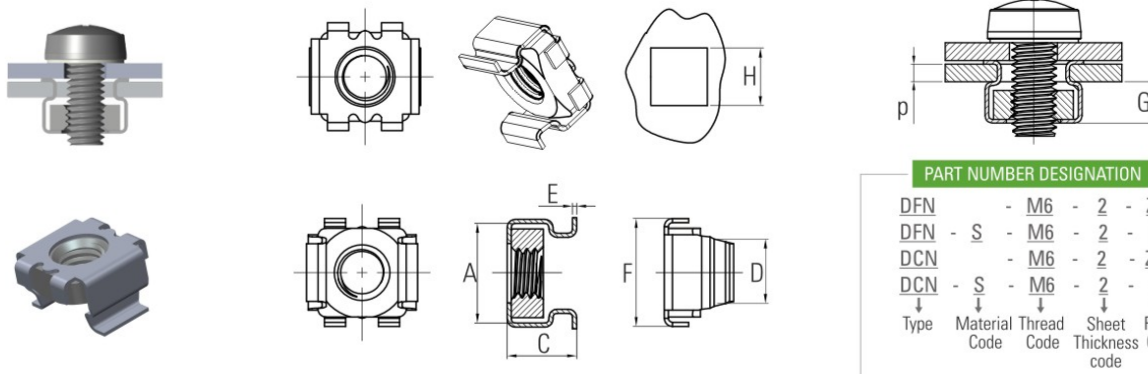


Cage nuts (also known as captive nuts or clip nuts), have a spring steel cage with a floating nut inside it, allowing for screw length variations. They are installed by squeezing the two side wings together, placing the nut into a sheet metal square punched hole and releasing the wings. The installation is fast, convenient and provides a strong connection, while still being removable. They are ideal for blind assemblies.



All dimensions are in millimeters.

METRIC	Thread Code	Type		Type		Sheet Thickness P	A +/-0.5	C +/-0.5	D +/-0.5	E +/-0.5	F +/-0.5	G +/-0.5	H +/-0.1
		Cage	Square Nuts	Cage	Square Nuts								
		Spring Steel	Carbon Steel	Stainless Steel	Carbon Steel								
M4x0.7	CN-M4-0	CNS-M4-0	0.7-1.6	13.0	8.8	8.5	0.45	13.2	6.5	9.5*9.5			
	CN-M4-1	CNS-M4-1	1.7-2.7	13.0	10.0	8.5	0.45	13.2	6.5	9.5*9.5			
	CN-M4-2	CNS-M4-2	2.8-3.6	13.0	11.2	8.5	0.45	13.2	6.5	9.5*9.5			
M5x0.8	CN-M5-0	CNS-M5-0	0.7-1.6	13.0	8.8	8.5	0.45	13.2	6.5	9.5*9.5			
	CN-M5-1	CNS-M5-1	1.7-2.7	13.0	10.0	8.5	0.45	13.2	6.5	9.5*9.5			
	CN-M5-2	CNS-M5-2	2.8-3.6	13.0	11.2	8.5	0.45	13.2	6.5	9.5*9.3			
M6x1.0	CN-M6-0	CNS-M6-0	0.7-1.6	13.0	8.8	8.5	0.45	13.2	6.5	9.5*9.5			
	CN-M6-1	CNS-M6-1	1.7-2.7	13.0	10.0	8.5	0.45	13.2	6.5	9.5*9.5			
	CN-M6-2	CNS-M6-2	2.8-3.6	13.0	11.2	8.5	0.45	13.2	6.5	9.5*9.5			

All dimensions are in millimeters.

METRIC	Thread Code	Type		Type		Sheet Thickness P	A +/-0.5	C +/-0.5	D +/-0.5	E +/-0.5	F +/-0.5	G +/-0.5	H +/-0.1
		Cage	Square Nuts	Cage	Square Nuts								
		Spring Steel	Carbon Steel	Stainless Steel	Carbon Steel								
M4x0.7	FN-M4-0	FNS-M4-0	1.0-1.6	12.0	8.5	7.2	0.45	12.1	6.2	8.3*8.3			
	FN-M4-1	FNS-M4-1	1.7-2.5	12.0	9.5	7.2	0.45	12.1	6.2	8.3*8.3			
	FN-M4-2	FNS-M4-2	2.6-3.5	12.0	10.5	7.2	0.45	12.1	6.2	8.3*8.3			
	FN-M4-3	FNS-M4-3	3.6-4.5	12.0	11.5	7.2	0.45	12.1	6.2	8.3*8.3			
M5x0.8	FN-M5-0	FNS-M5-0	1.0-1.6	12.0	8.5	7.2	0.45	12.1	6.2	8.3*8.3			
	FN-M5-1	FNS-M5-1	1.7-2.5	12.0	9.5	7.2	0.45	12.1	6.2	8.3*8.3			
	FN-M5-2	FNS-M5-2	2.6-3.5	12.0	10.5	7.2	0.45	12.1	6.2	8.3*8.3			
M6x1.0	FN-M5-3	FNS-M5-3	3.6-4.5	12.0	11.5	7.2	0.45	12.1	6.2	8.3*8.3			
	FN-M6-0	FNS-M6-0	1.0-1.6	12.0	8.5	7.2	0.45	12.1	6.2	8.3*8.3			
	FN-M6-1	FNS-M6-1	1.7-2.5	12.0	9.5	7.2	0.45	12.1	6.2	8.3*8.3			
	FN-M6-2	FNS-M6-2	2.6-3.5	12.0	10.5	7.2	0.45	12.1	6.2	8.3*8.3			
M6x1.0	FN-M6-3	FNS-M6-3	3.6-4.5	12.0	11.5	7.2	0.45	12.1	6.2	8.3*8.3			